

**Standard Preparation
Hand Wash Basin - Freestanding,
Knee-operated with Waste Bin**

ITEM # _____

MODEL # _____

NAME # _____

SIS # _____

AIA # _____



132954 (NHWSB40)

Free-standing Hand Wash
Basin with waste Cabinet,
knee-operated, 1 bowl,
Mixer spout and drain hole

Short Form Specification

Item No. _____

Made from 304 AISI stainless steel. Integral radiused rear upstand, knee-operated. Waste cabinet with hinged door and handle incorporates a support frame for waste bags. Bowl mm340x365x155h with mixer spout and drain hole.

Main Features

- Sturdiness, stability and reliability of table accurately tested.
- Easy to clean thanks to the rounded bowl and corners.
- Washbasin can be equipped with a wall panel plus paper and soap dispensers as optional extras.

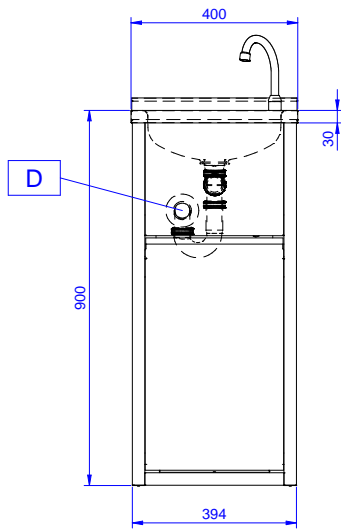
Construction

- Wide range of taps are available to suit every need.
- 100 mm upstand with 10 mm radiused corner and 13 mm deep, designed to be used against a wall.
- Mixer spout, ½" in diameter and drain hole supplied as standard.
- Constructed entirely in 18/10 stainless steel.
- Sound deadened pressed bowl with rounded corners and all-round lip to prevent overspill.
- Rear upstand 30 mm in height and 1.5 mm thick.
- Syphon included in the delivery.
- Equipped with a front cabinet to store waste.

APPROVAL: _____

Standard Preparation Hand Wash Basin - Freestanding, Knee-operated with Waste Bin

Front

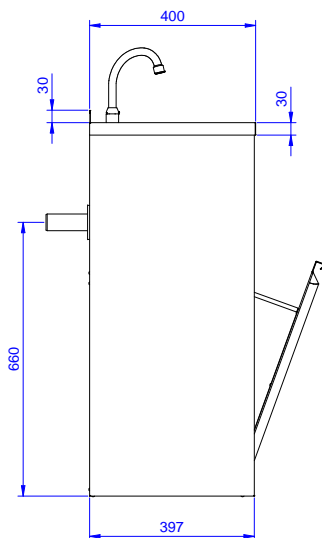

Water:

Inlet water line size:	1/2"
Incoming Cold/hot Water line size:	1/2"
Water drain outlet size:	1"1/2

Key Information:

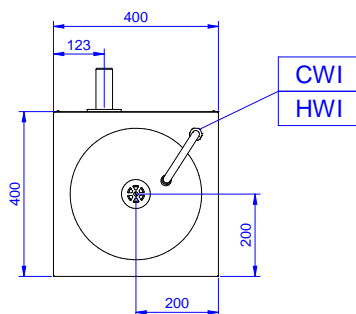
External dimensions, Width:	400 mm
External dimensions, Depth:	400 mm
External dimensions, Height:	900 mm
Upstand Dimensions, Height:	30 mm
Upstand Dimensions, Depth:	1.5 mm
Upstand Dimensions, Radius:	90°
Bowls number	1
Bowl dimensions	340x365xH155
Worktop thickness:	30 mm
Net weight:	20 kg

Side



CWI = Cold Water inlet 1 (cleaning)
 D = Drain
 HWI = Hot water inlet

Top



Standard Preparation
Hand Wash Basin - Freestanding, Knee-operated with Waste Bin

The company reserves the right to make modifications to the products without prior notice. All information correct at time of printing.